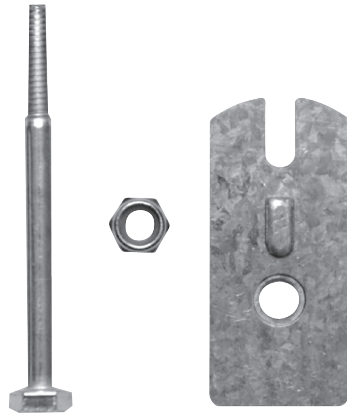


- Extension for ground plate
- for NFA.. / SF..A to NF../ AF..
  - incl. 1 screw and 1 nut

**Technical data**

<b>Weight</b>	Weight	0.045 kg
	Packaging size	Single-pack

**Product features**

**Used materials** Galvanised steel

Product features

Application Suitable for NF..A, SF..A

